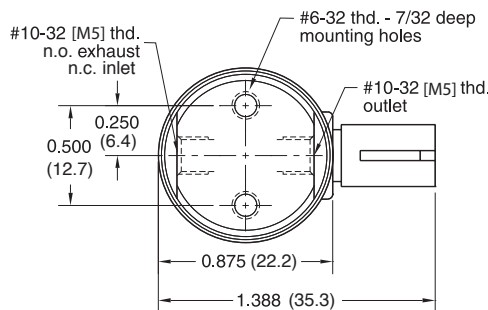


OXYGEN CLEAN EV, ET, EC 3-WAY FULLY PORTED VALVES

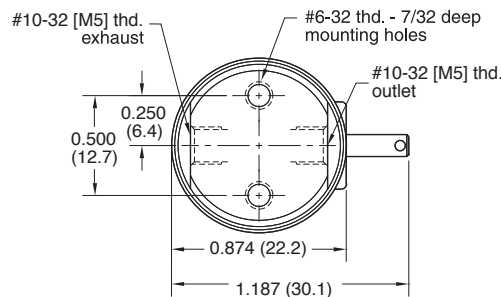
IN-LINE MOUNT



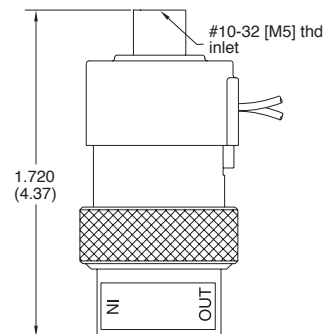
O-ECO - 3 - □ - □



O-ETO - 3 - □ - □



O-EVO - 3 - □ - □



Type: Fully Ported 3-Way
Medium: Air (40 micron filtration)
Temperature Range: 32 to 180°F
Power Consumption: 0.67 watt
Response: 5 to 10 milliseconds
Mounting: In-line or Manifold
Ports: #10-32 [M5]

Operating Range: 90% to 150% of rated voltage

Air Flow: 0.6 scfm @ 100 psig*;
 17 l/min @ 7 bar
 "L" option: 0.5 scfm @ 50 psig;
 14 l/min @ 3.5 bar
 "H" option: 0.45 scfm @ 25 psig;
 13 l/min @ 3.8 bar

* When air supply is connected to the top port to operate valve Normally-Open, main flow is 0.8 scfm and exhaust flow is 0.6 scfm at 100 psig.

Pressure Range: 28" Hg Vac. to 105 psig;
 7 bar max
 "L" option: 28" Hg Vac. to 50 psig;
 3.5 bar max
 "H" option: 28" Hg Vac. to 25 psig;
 1.8 bar max

Seals: FKM

For Cable and Connectors, see Page 201.

NUMBERING SYSTEM

O - E □ **O - 3** - □ - □ - □ — M5 - Metric

C - Connector
T - Terminal Spades
V - Wire Leads

Voltages: *
 6 - 6 VDC
 12 - 12 VDC
 24 - 24 VDC

Standard Options:
 Blank - Standard orifice 0.025"
L - 0.040" orifice
H - 0.060" orifice
Non-Standard Options:
D - Diode

* Consult factory for availability of non-standard voltages and other options